

MPI-920-IMSG25

Frequency Synthesizer and VCO

OVERVIEW

The MPI-920-IMSG25 is an integer frequency synthesizer and wideband voltage controlled oscillator (VCO). It covers a frequency range of 1000 – 1800 MHz. The circuit operates from a supply voltage of 4.5 – 5.5 V. The MPI-920-IMSG25 is optimized for DVB-T applications.

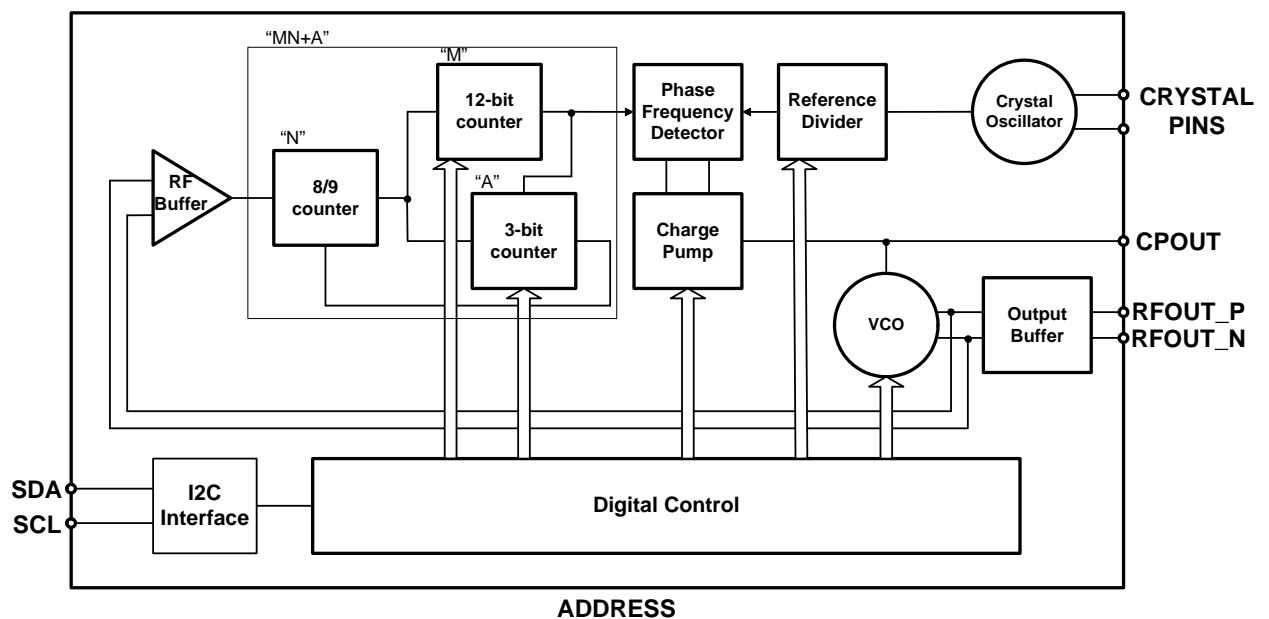
KEY FEATURES

- Wide tuning range multi band integrated VCO
- Reference frequency range up to 20 MHz
- “MN+A” dividers architecture
- Programmable charge pump currents
- I2C bus interface
- Digital lock detect
- Power supply 5 V \pm 10 %
- SiGe BiCMOS Technology

APPLICATIONS

- Modulators / Demodulators
- Communications Systems
- Navigation
- DVB-T/H/S

BLOCK DIAGRAM



DELIVERABLES

- GDSII
- CDL Netlist (for LVS)
- LEF
- Behavioral Model
- Datasheet
- Integration Guide and Support

CONTACT INFORMATION

Microproject Co. Ltd.,
7, Avtomotornaya Str., Moscow, Russian Federation, 125438
Phone/Fax: +7 495 455 3734 Email: design@microproject.ru
Web: <http://www.microproject.ru/en>