

MPI-900-IMSG25

2 GHz Frequency Synthesizer

OVERVIEW

The MPI-900-IMSG25 is an integer frequency synthesizer. It covers a 2 GHz frequency range. The MPI-900-IMSG25 can form a complete PLL signal source when used in conjunction with a VCO, loop filter and crystal resonator. The synthesizer is controlled via I2C interface and is optimized for use in DVB-T receivers.

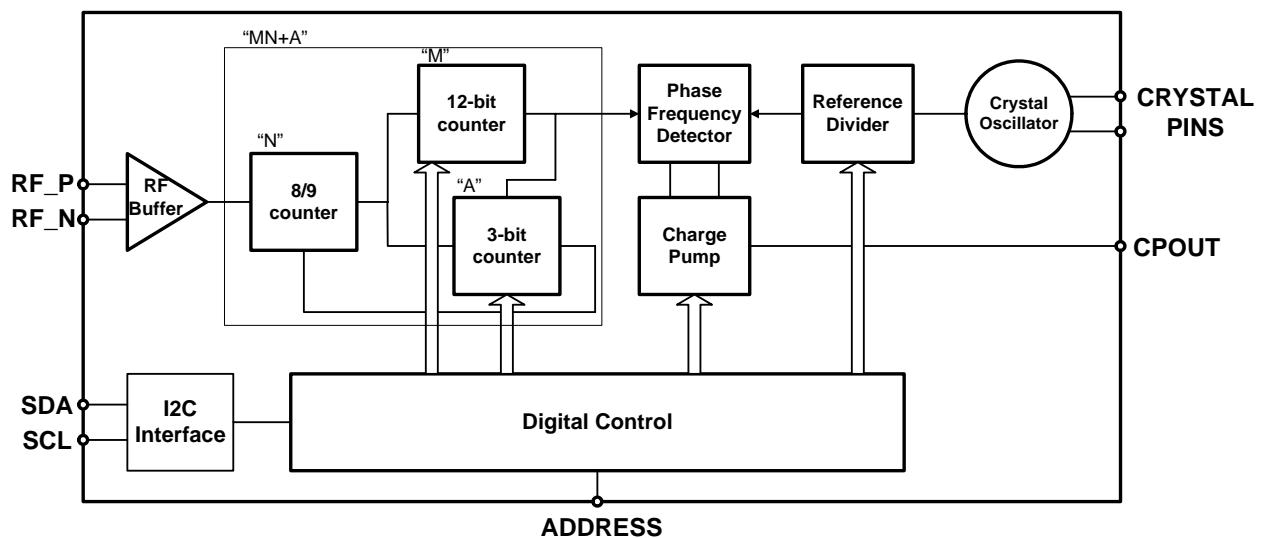
KEY FEATURES

- RF frequency range up to 2 GHz
- Reference frequency range up to 20 MHz
- “MN+A” dividers architecture
- Programmable charge pump currents
- I2C bus interface
- Digital lock detect
- Power supply $3\text{ V} \pm 10\%$
- Separate power supply for charge pump up to 5 V
- SiGe BiCMOS Technology

APPLICATIONS

- Modulators / Demodulators
- Communications Systems
- Navigation
- DVB-T/H/S

BLOCK DIAGRAM



DELIVERABLES

- GDSII
- CDL Netlist (for LVS)
- LEF
- Behavioral Model
- Datasheet
- Integration Guide and Support

CONTACT INFORMATION

Microproject Co. Ltd.,
7, Avtomotornaya Str., Moscow, Russian Federation, 125438
Phone/Fax: +7 495 455 3734 Email: design@microproject.ru
Web: <http://www.microproject.ru/en>