

MPI-770-IMSG25

500 – 2000 MHz Quadrature Modulator

OVERVIEW

The MPI-770-IMSG25 is an integrated RF low noise quadrature modulator. It can be used from 500 MHz to 2000 MHz. The modulator provides excellent phase and amplitude balance accuracy.

The MPI-770-IMSG25 modulator contains polyphase network phase splitter, two buffer amplifiers, two mixers and output buffer matched to 50 Ohms load.

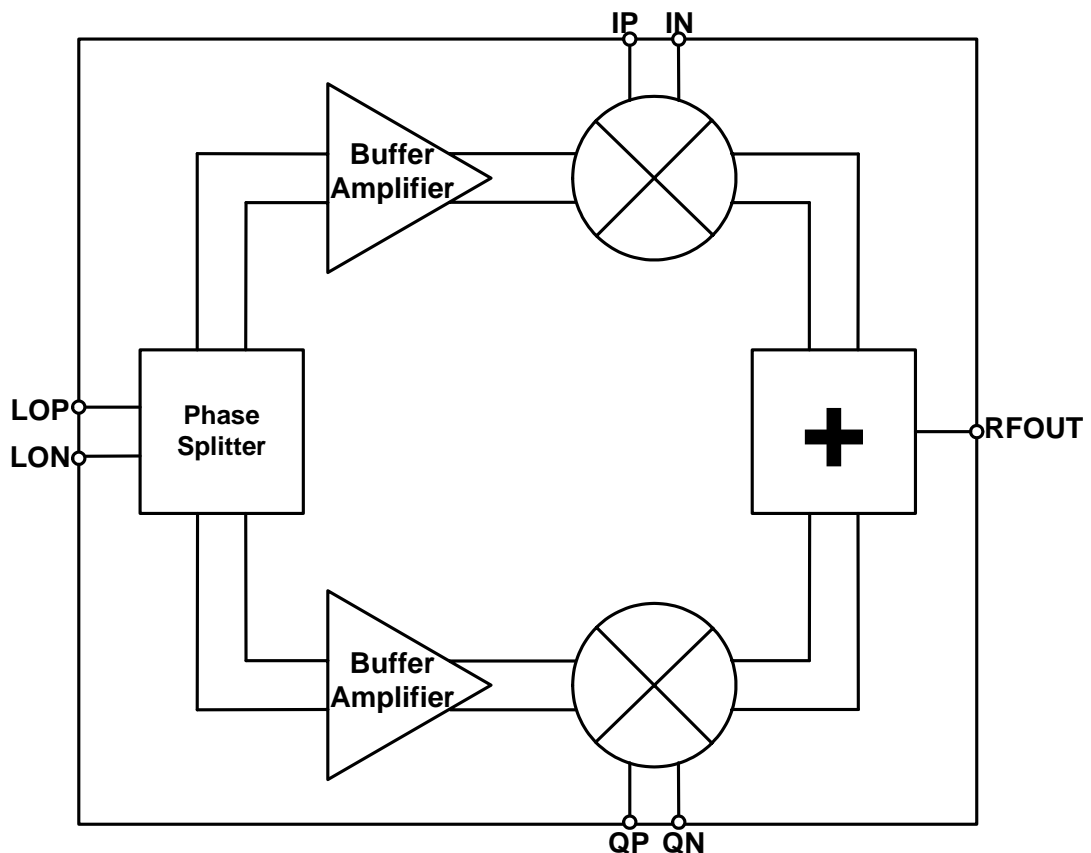
KEY FEATURES

Input frequency range: 500 MHz to 2 GHz
 Modulation bandwidth: DC to 200 MHz
 High modulation accuracy
 Power supply 5 V \pm 10 %
 Operating current 50 mA
 SiGe BiCMOS Technology

APPLICATIONS

RF Transceivers
 QMSK/QPSK/QAM Modulators
 SSB Modulators
 Communication Systems

BLOCK DIAGRAM



DELIVERABLES

- GDSII
- CDL Netlist (for LVS)
- LEF
- Behavioral Model
- Datasheet
- Integration Guide and Support

CONTACT INFORMATION

Microproject Co. Ltd.,
7, Avtomotornaya Str., Moscow, Russian Federation, 125438
Phone/Fax: +7 495 455 3734 Email: design@microproject.ru
Web: <http://www.microproject.ru/en>