

MPI-502-IM25

10-bit, 200 MSPS Current Steering DAC

OVERVIEW

MPI-502-IM25 is a CMOS 10-bit current steering digital-to-analog converter (DAC). It supports sample rates up to 200 MSPS. The DAC has a segmented thermometer decoded architecture with differential current outputs.

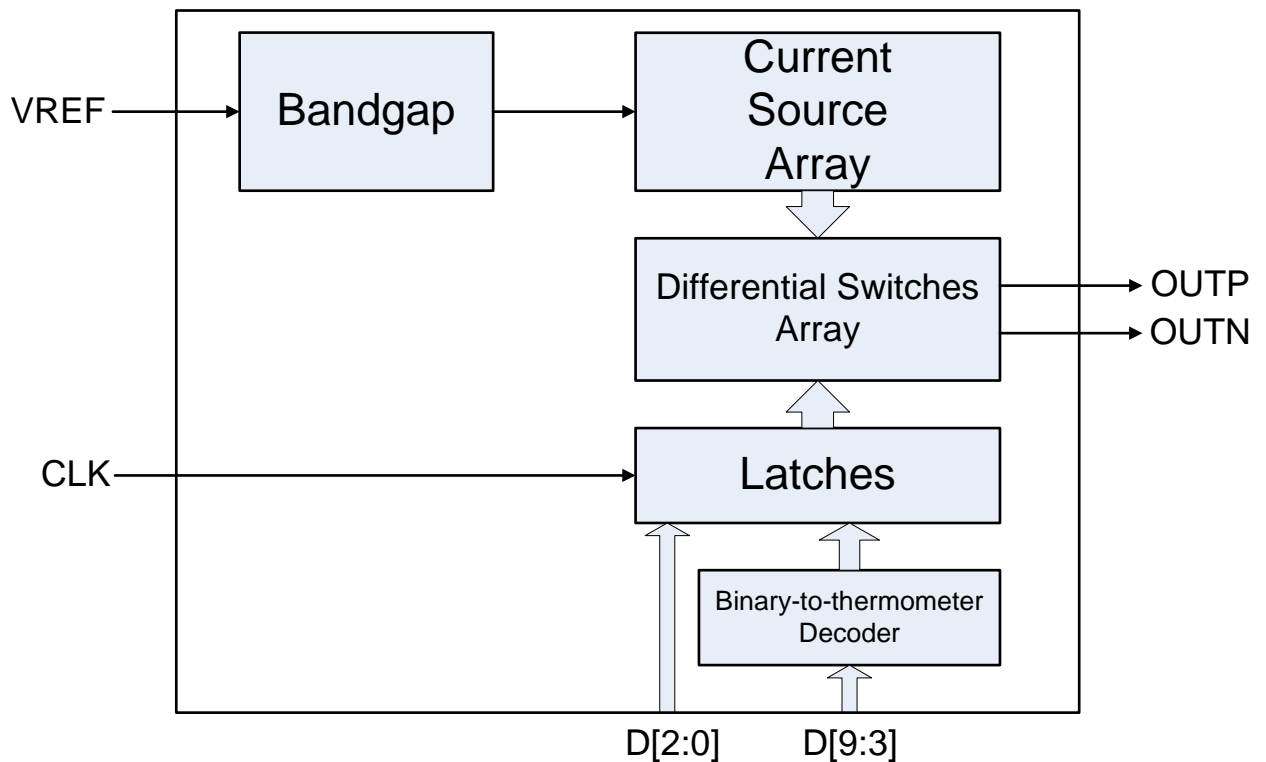
KEY FEATURES

10-bit Resolution
 200 MHz Update Rate
 Output voltage: 1 V p-p
 Low Distortion: -60dB SFDR
 Typical DNL and INL < 0.8 LSB
 Low Power Dissipation: 50 mW
 CMOS 0.25 μ m Technology

APPLICATIONS

Communications
 Wireless LAN
 Direct Digital Synthesis

BLOCK DIAGRAM



MPI-502-IM25**10-bit, 200 MSPS Current Steering DAC**

DELIVERABLES

- GDSII
- CDL Netlist (for LVS)
- LEF
- Behavioral Model
- Datasheet
- Integration Guide and Support

CONTACT INFORMATION

Microproject Co. Ltd.,

7, Avtomotornaya Str., Moscow, Russian Federation, 125438

Phone/Fax: +7 495 455 3734 Email: design@microproject.ru

Web: <http://www.microproject.ru/en>