

## MPI-500-IM25

## 10-bit, 100 MSPS Current Steering DAC

### OVERVIEW

MPI-500-IM25 is a CMOS 10-bit current steering digital-to-analog converter (DAC). It supports sample rates up to 100 MSPS. The DAC has a segmented thermometer decoded architecture with differential current outputs.

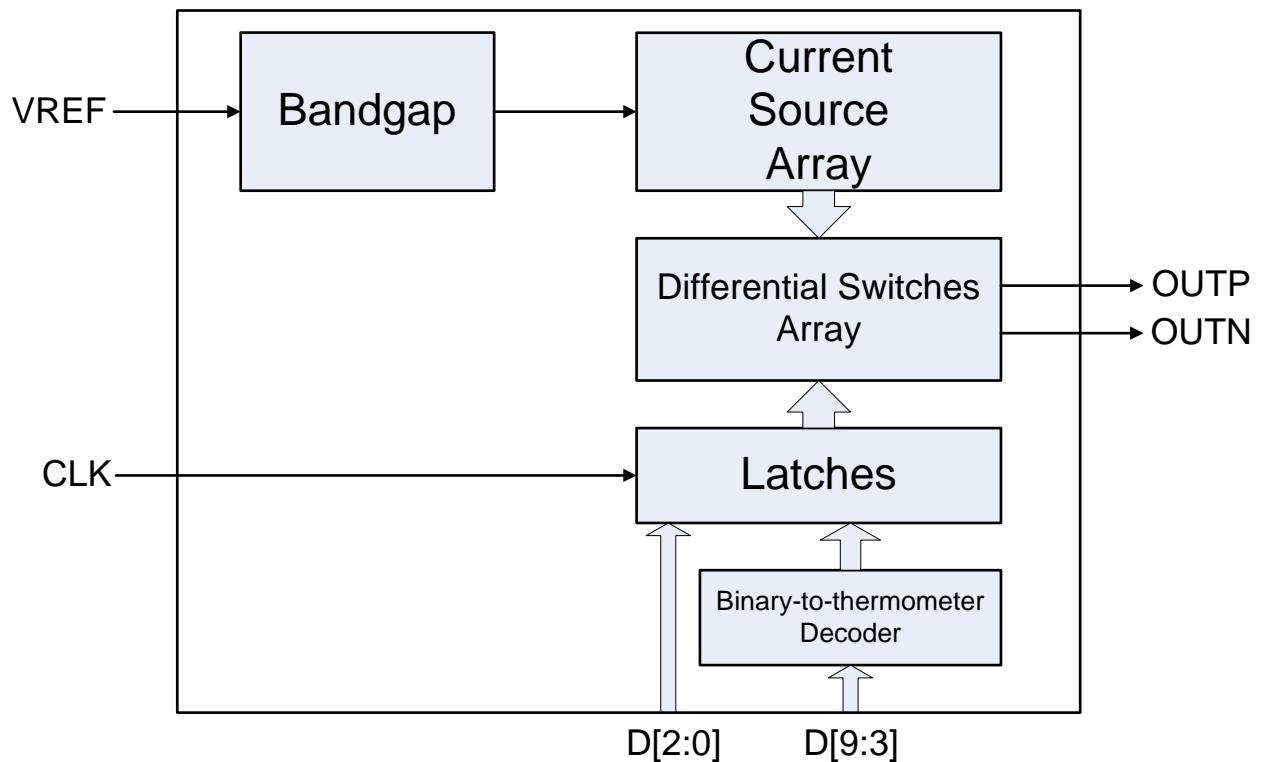
### KEY FEATURES

10-bit Resolution  
 100 MHz Update Rate  
 Output voltage: 1 V p-p  
 Low Distortion: -66dB SFDR  
 Low Power Dissipation: 40 mW  
 CMOS 0.25 um Technology

### APPLICATIONS

Communications  
 Wireless LAN  
 Direct Digital Synthesis

### BLOCK DIAGRAM



---

MPI-500-IM25

10-bit, 100 MSPS Current Steering DAC

---

**DELIVERABLES**

- GDSII
- CDL Netlist (for LVS)
- LEF
- Behavioral Model
- Datasheet
- Integration Guide and Support

**CONTACT INFORMATION**

Microproject Co. Ltd.,  
7, Avtomotornaya Str., Moscow, Russian Federation, 125438  
Phone/Fax: +7 495 455 3734 Email: [design@microproject.ru](mailto:design@microproject.ru)  
Web: <http://www.microproject.ru/en>